

# CRYSTAL OSCILLATOR

## OSC71



### Applications

- PC Main board / VGA card / DVD / DVC / DSC / Printer / Scanner / Game Console

### Features

- Ceramic package / Dimensions (5.0x 3.2x 0.9)
- Operating temperature -40~85°C
- Enable / Disable feature

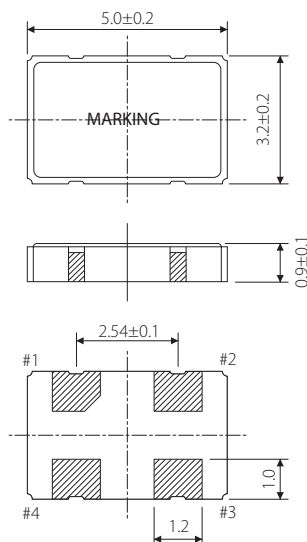
### Specifications



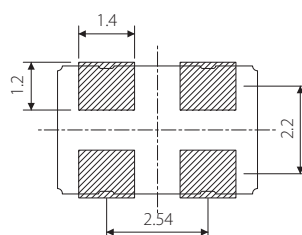
| Model                       | OSC71  |   |  |
|-----------------------------|--|---|--|
| Frequency range             | 0.500~ 156.250MHz  |   |  |
| Storage temperature range   | -55~ +125°C  |   |  |
| Operating temperature range | -40~+85°C , -40~ +105°C  |   |  |
| Frequency stability         | ±30 × 10 <sup>-6</sup> (-40~+85°C) , ±50 × 10 <sup>-6</sup> , ±100 × 10 <sup>-6</sup>  |   |  |
| Power supply voltage (Vdd)  | +1.8V DC ± 5%  | +2.5V DC ± 5%   | +3.3V DC ± 5%  |
| Current consumption         | 2.5 mA max: ~ 20MHz<br>3.0 mA max: ~ 40MHz<br>7.0 mA max: ~ 60MHz<br>20 mA max: ~ 100MHz<br>25 mA max: ~ 125MHz<br>30 mA max: ~ 156MHz | 5 mA max: ~ 20MHz<br>9 mA max: ~ 40MHz<br>11 mA max: ~ 60MHz<br>30 mA max: ~ 100MHz<br>35 mA max: ~ 125MHz<br>40 mA max: ~ 156MHz | 7 mA max: ~ 20MHz<br>13 mA max: ~ 40MHz<br>19 mA max: ~ 60MHz<br>35 mA max: ~ 100MHz<br>40 mA max: ~ 125MHz<br>45 mA max: ~ 156MHz |
| Output level                | C-MOS  |   |  |
| Load                        | 15pF max.  |   |  |
| Output voltage level        | V <sub>OL</sub> : 10%V <sub>dd</sub> max. / V <sub>OH</sub> : 90%V <sub>dd</sub> min.  |   |  |
| Rise & Fall time            | 10ns max(F ≤ 40MHz), 7ns max(40MHz < F ≤ 125MHz), 2ns max(F > 125MHz)  |   |  |
| Duty cycle                  | 40%~60% at 1/2V <sub>dd</sub>  | 45%~55% at 1/2V <sub>dd</sub>   |  |
| Tri-state Function          | #1: Floating or "H"→Output enable / #1: "L"→Output disable (Hi-Z)  |   |  |

Package quantity: 3,000pcs max./Reel.

### Outline and Dimensions [unit:mm]



Example of a Terminal Land Pattern



| Terminal | Connection |
|----------|------------|
| #1       | Tri-state  |
| #2       | GND        |
| #3       | OUTPUT     |
| #4       | Vdd        |

#### Tri-state Function

| Tri-state Pin    | Output       |
|------------------|--------------|
| High or Floating | Active       |
| Low              | Hi-impedance |